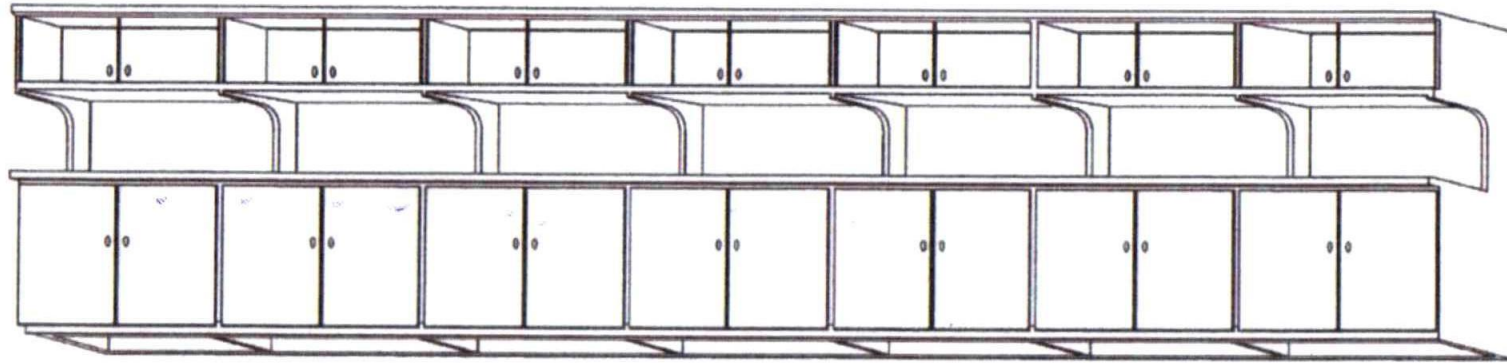
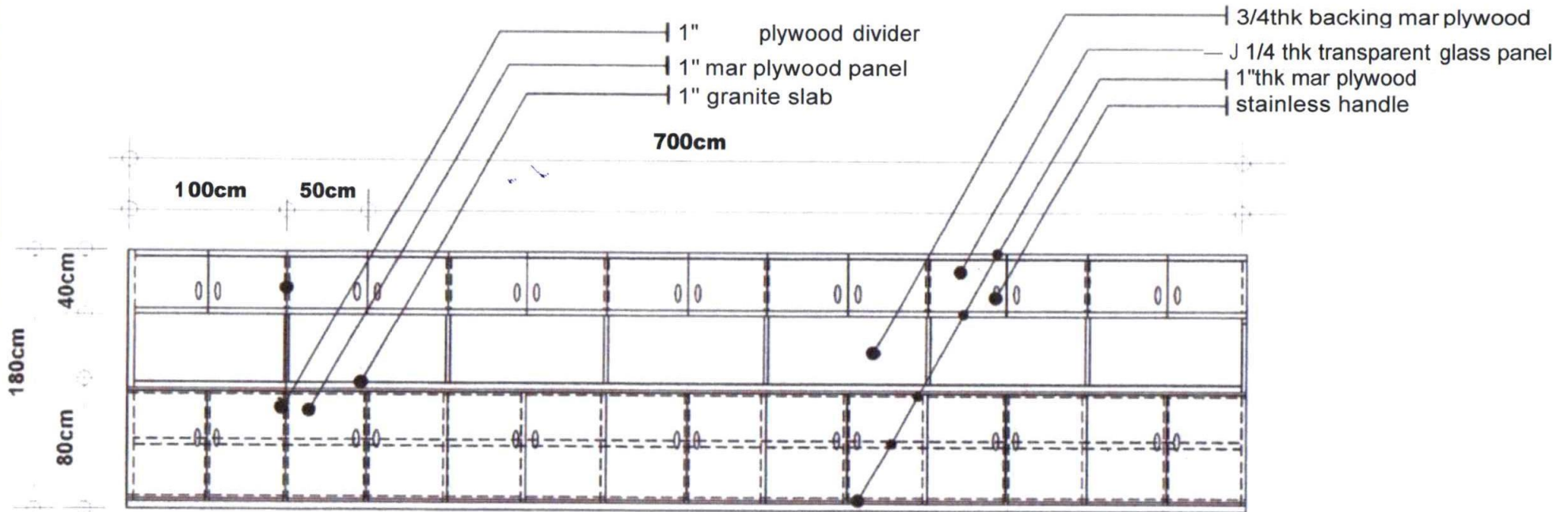


Note: Use 3/4" Marine Plywood & 1/2" granite slab

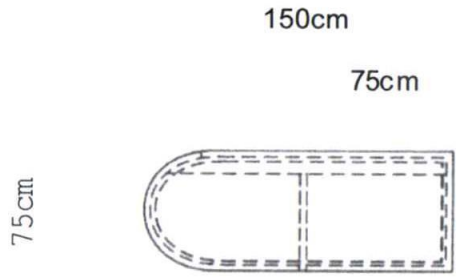


ISOMETRIC DRAWING

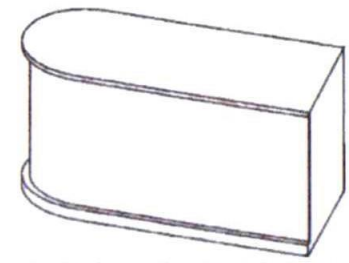


FRONT VIEW

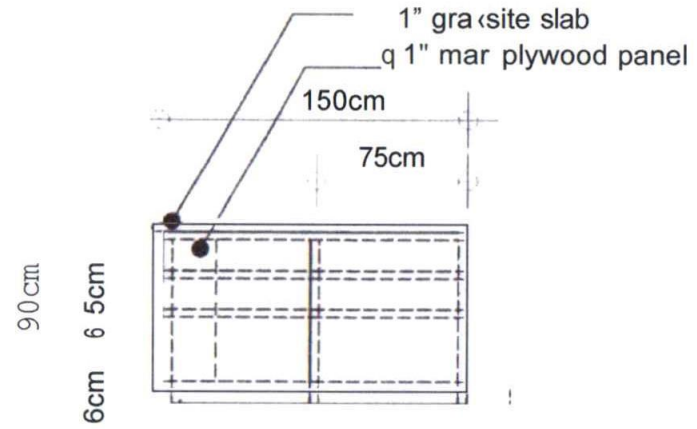
Note: Use 3/4" Marine Plywood & 1/2" Granite Slab



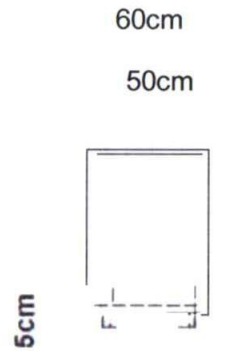
TOP VIEW



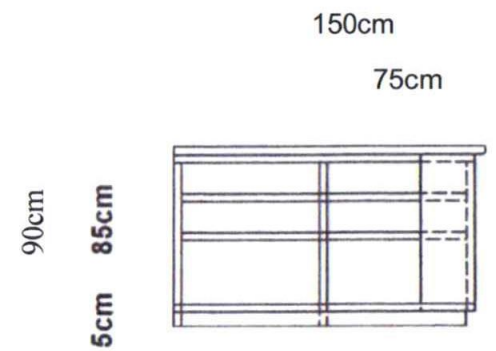
ISOMETRIC DRAWING



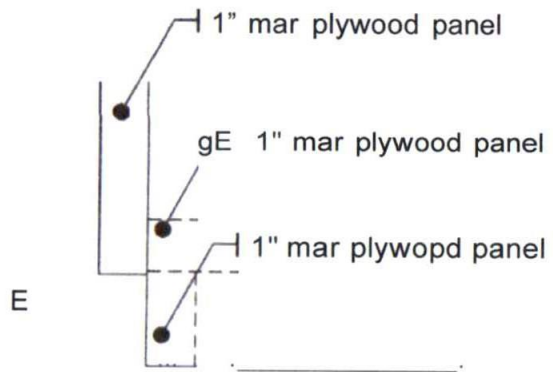
FRONT VIEW



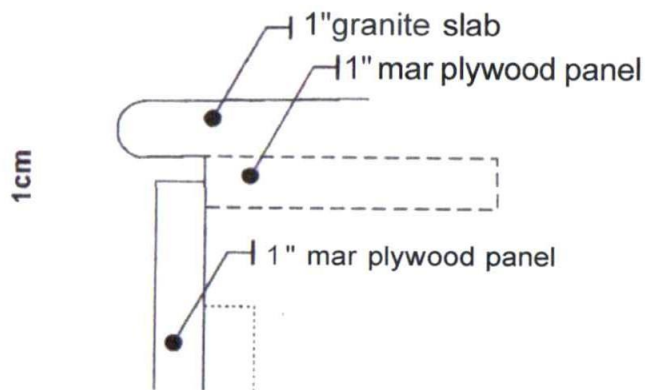
SIDE VIEW



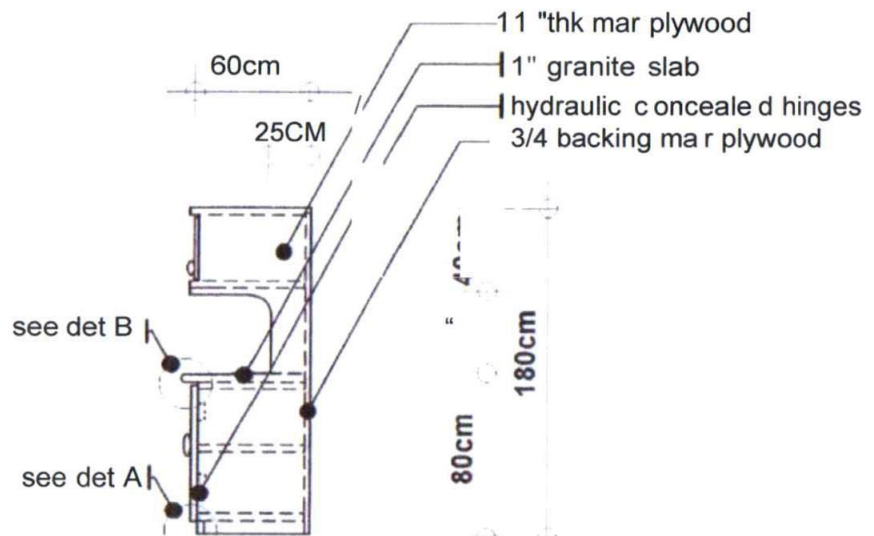
BACK



det a

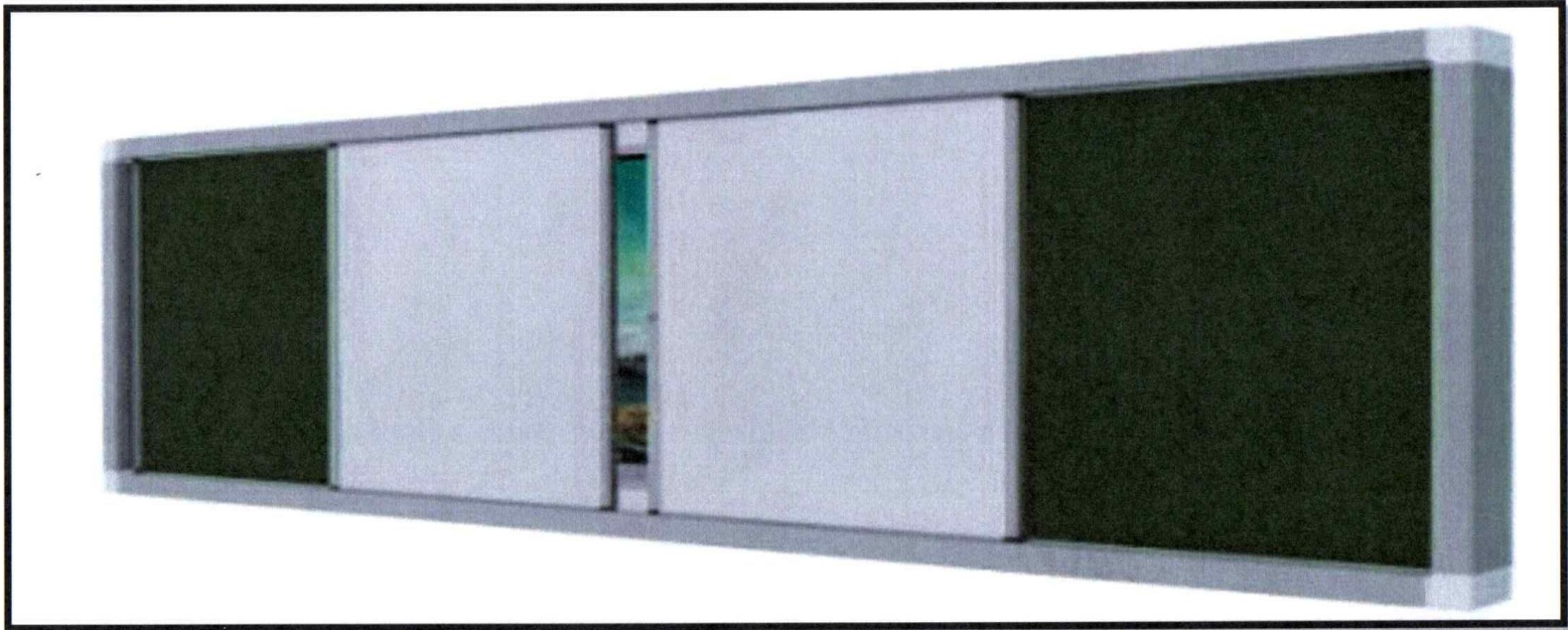
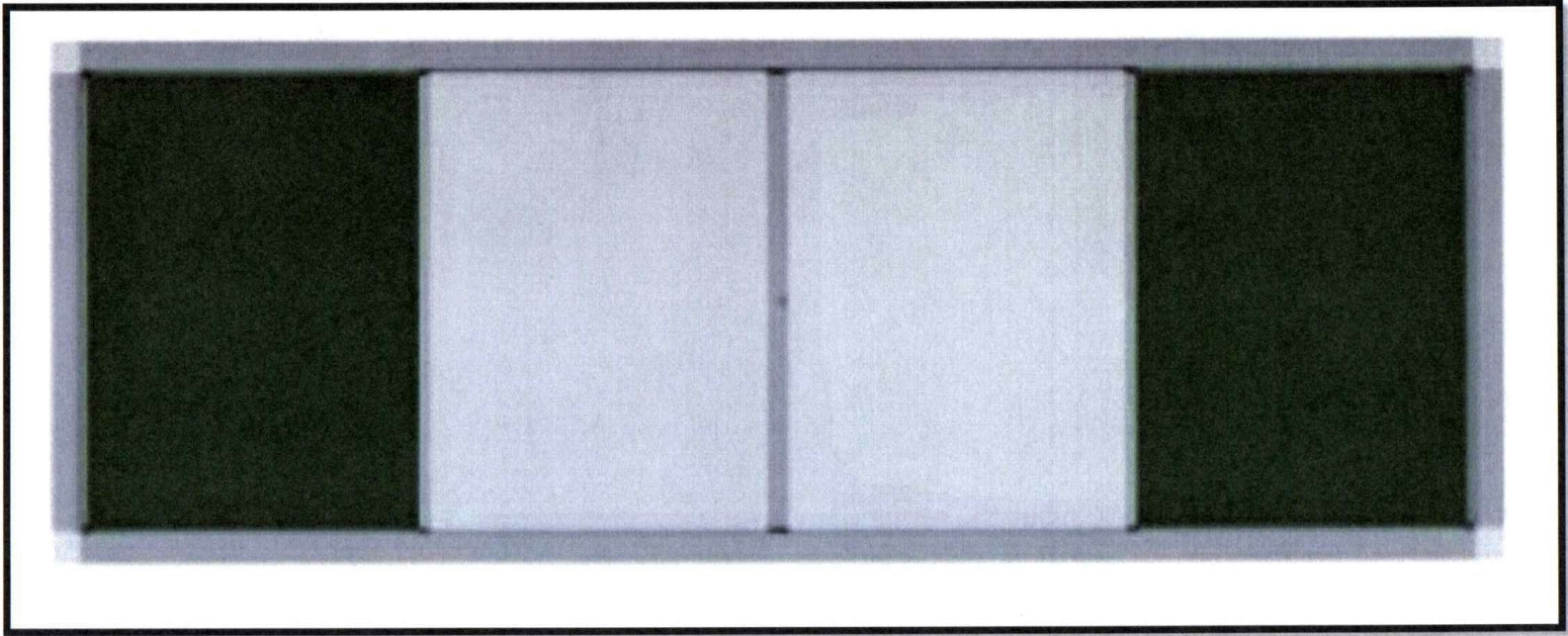


det b



SIDE VIEW






## DUCTED FUME HOOD SPECIFICATIONS

Category	Specification Item	Recommended Specification
<b>1. Hood Type</b>	Hood design	<b>Ducted (externally exhausted)</b> chemical fume hood
	Application	General chemistry (teaching & routine research)
<b>2. Dimensions &amp; Ergonomics</b>	Hood width	preferably <b>1200 mm</b> (standard); 1500–1800 mm for larger labs
	Hood depth	<b>800–900 mm</b>
	Hood height	Compatible with ceiling & duct routing
	Work surface height	<b>700–800 mm</b>
	Maximum sash opening	~500–600 mm (safe operating zone)
<b>3. Sash System</b>	Sash type	Vertical sliding, <b>tempered safety glass</b>
	Sash mechanism	Counterbalanced or motorized
	Sash stops/locks	Provided at safe operating height
<b>4. Airflow Performance</b>	Face velocity	<b>0.4–0.6 m/s</b> (80–120 fpm) at working sash height
	Exhaust airflow	~600–900 m <sup>3</sup> /h (for 1200 mm hood)
	Airflow control	Variable speed blower or controller
<b>5. Blower &amp; Ducting</b>	Blower type	Centrifugal, corrosion-resistant
	Blower location	Inline / roof-mounted
	Duct material	Smooth steel or corrosion-resistant duct
	Duct diameter	Sized to maintain required airflow
	Backdraft damper	Required
<b>6. Materials of Construction</b>	Interior liner	<b>Epoxy resin</b> (general use) or <b>PP</b> (strong acids/bases)
	Work surface	Phenolic resin or polypropylene
	Exterior	Powder-coated steel
<b>7. Lighting &amp; Electrical</b>	Lighting	Sealed <b>LED</b> , ≥500–1000 lux
	Power supply	220–240 V, 50/60 Hz
	Electrical outlets	GFCI-protected, chemical-resistant
<b>8. Safety &amp; Monitoring</b>	Airflow indicator	Digital or mechanical face-velocity display
	Airflow alarm	Visual and/or audible low-flow alarm
	Emergency stop	Accessible from front
	UV lamp	Optional (sterilization only)
	Utilities	Gas, water, vacuum, air valves with shut-offs
<b>9. Accessories</b>	Sink	Chemical-resistant (optional)
	Base cabinet	Acid- or solvent-rated
<b>10. Performance &amp; Compliance</b>	Containment testing	<b>ANSI/ASHRAE 110</b> (on-site verification)
	Certification frequency	On installation + annual testing
<b>11. Installation Requirements</b>	HVAC coordination	Hood airflow matched to exhaust system
	Maintenance access	Provided for blower & duct
<b>12. Documentation &amp; Support</b>	Manuals	Operation & maintenance manuals
	Warranty & service	Local service support & spare parts availability

Prepared by



**ENGR. RALPH NAGELO T. LLOREN**  
Campus Engineer